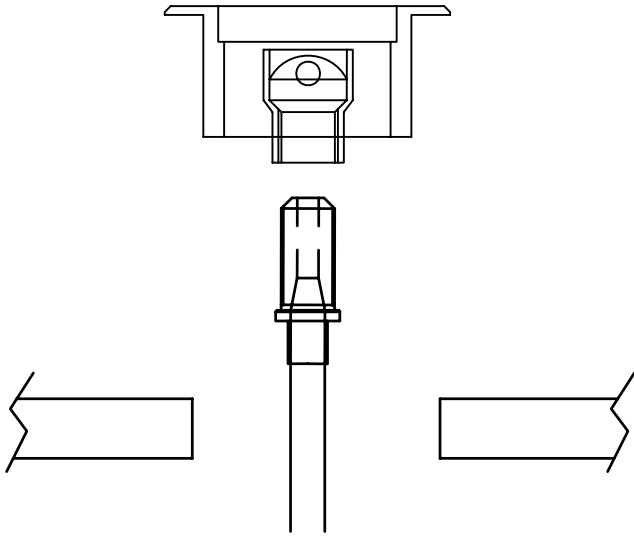
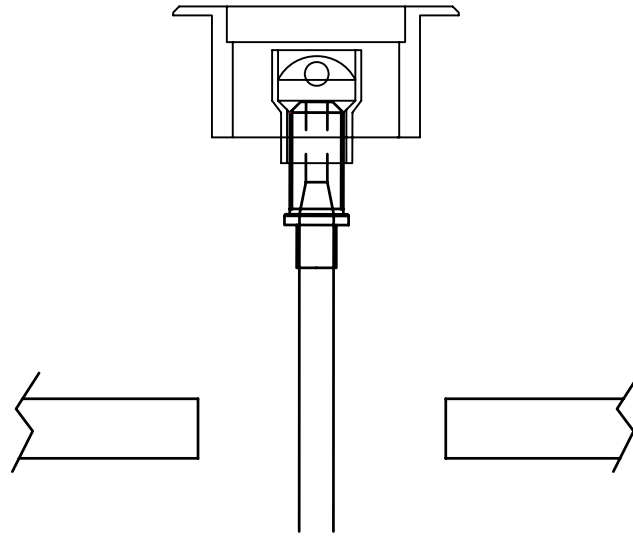


UFO P20 Paver

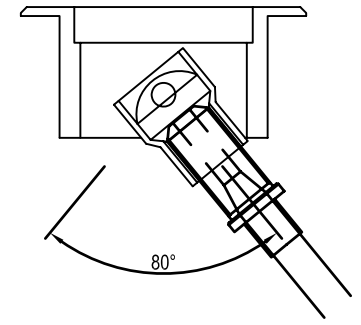
Size of cutout required - 35mm



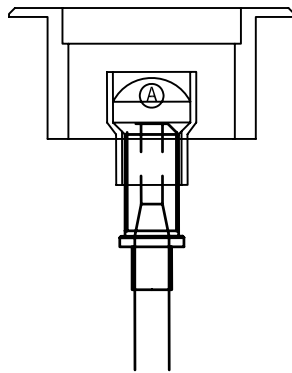
(1) Push ferrule through mounting hole and line up with fitting.



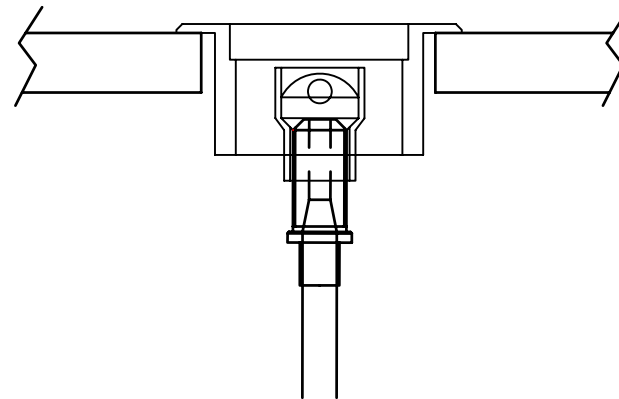
(2) Screw fitting onto ferrule.



(3) Set to desired angle for light beam.



(4) Tighten retaining screw (A) to hold at correct angle.



(5) Drop fitting into mounting hole.