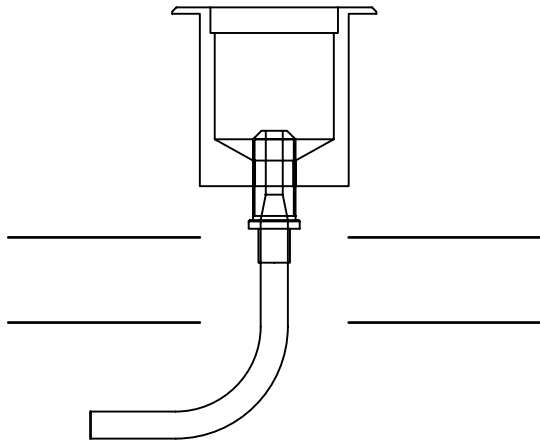
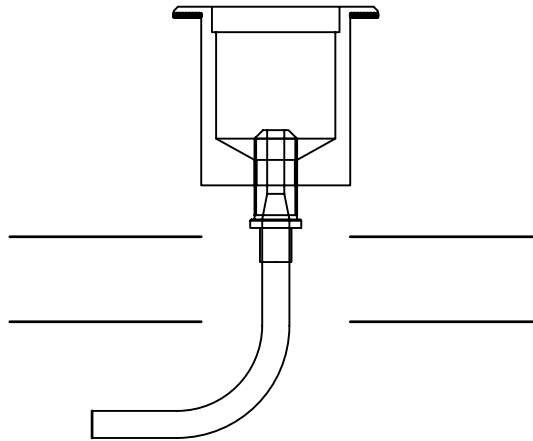


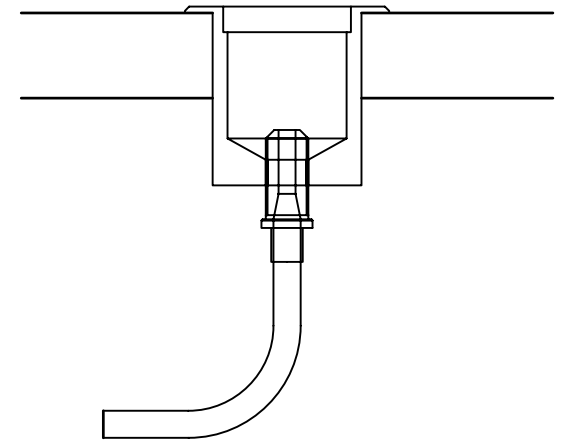
UFO P1 Paver
Cutout Required: 36mm



(1) Hold fibre optic tail in hand gently and screw on fitting.



(4) Apply some silicone sealant to the underside of the pavers lip to provide adhesion to the mounting surface.



(5) Drop the paver into its hole.