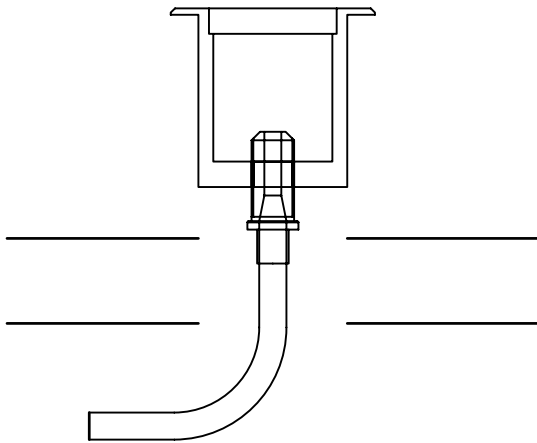
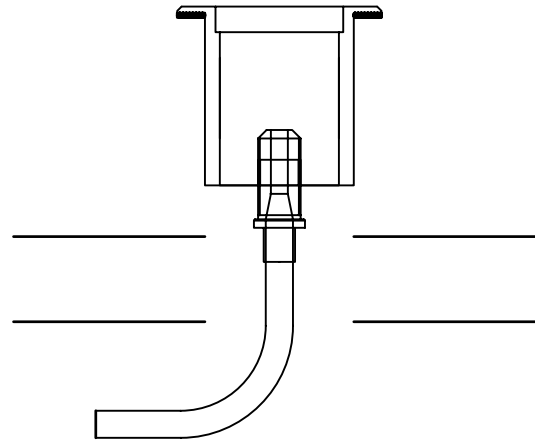


### UFO P13 Paver

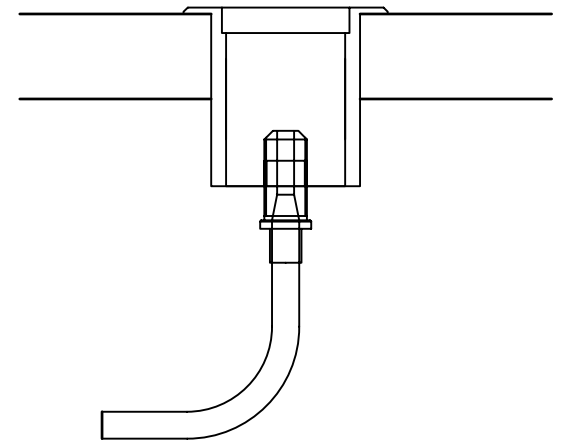
Cutout Required: 28mm



(1) Hold fibre optic tail in hand gently and screw on fitting.



(2) Apply some silicone sealant to the underside of the paver's lip to provide adhesion to the mounting surface.



(3) Drop the paver into its hole.