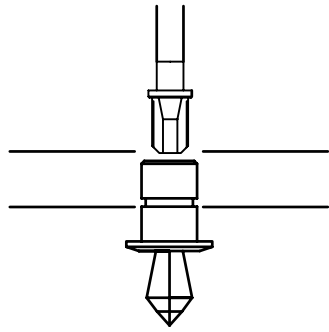
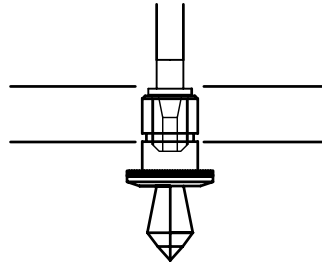


## Crystal fittings, without accessory tube.

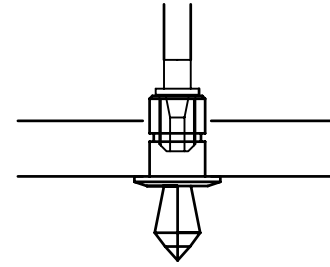
Size of cutout: 11mm



(1) Feed fibre optic tail through cutout and push into fitting as far as it will go.  
Note: DO NOT bend fibre



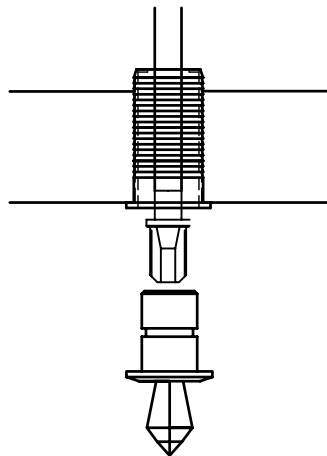
(2) If required, apply some silicone sealant to rim of fitting for additional bonding.



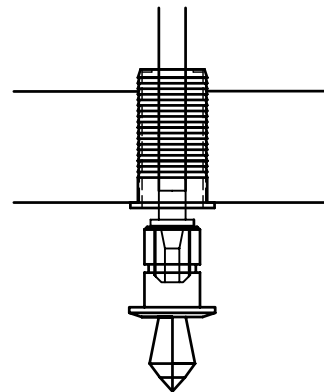
(3) Push firmly fitting into cutout.

## Crystal fittings, with accessory tube.

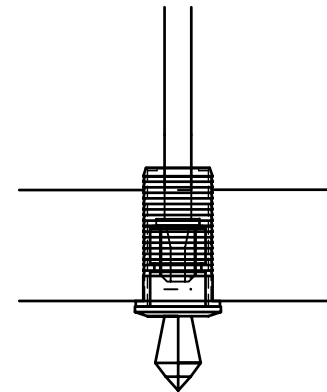
Size of cutout: 12mm



(1) Push accessory tube up through cutout and feed fibre optic tail down through tube.  
Note: DO NOT bend fibre



(2) Push fibre optic tail into fitting as far as it will go.



(3) Push fitting firmly into accessory tube.