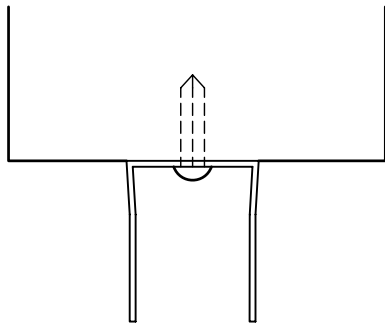
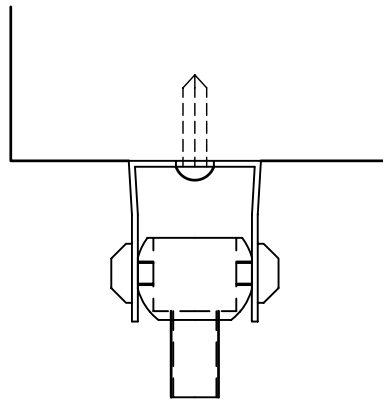


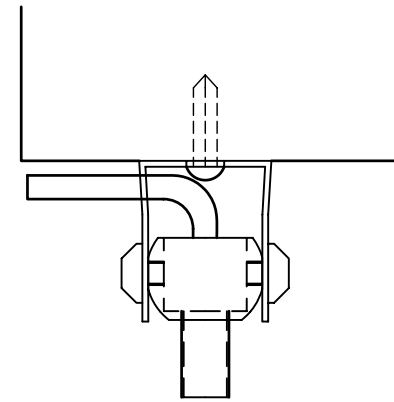
UFO 4D



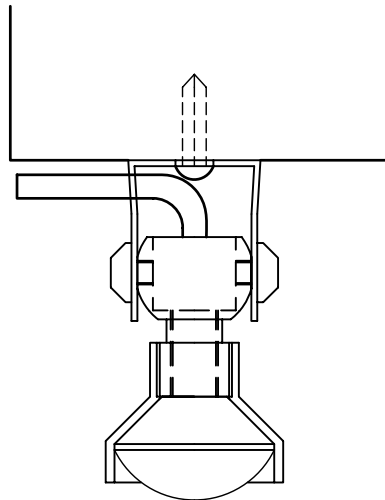
(1) Screw bracket to ceiling or spike, as required.



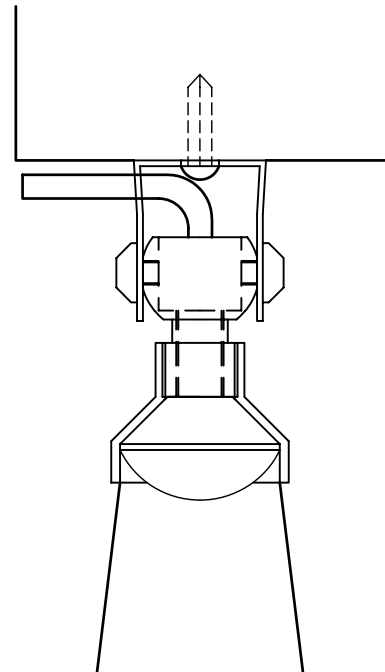
(2) Attach body of fitting to fixing bracket using supplied screws.



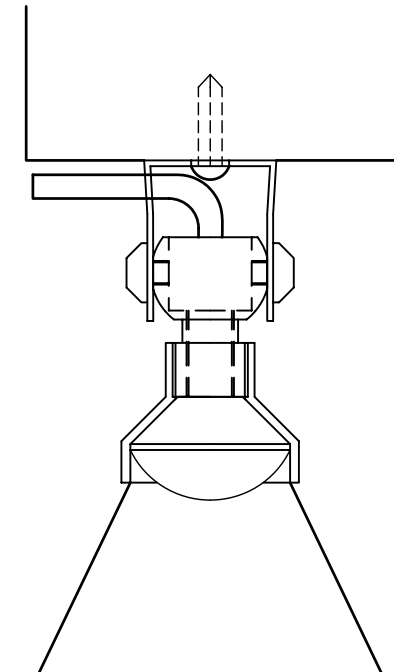
(3) Gently hold fibre optic tail in one hand and screw fitting onto ferrule as far as it will go.



(4) Screw trumpet onto ferrule.



(5) A narrow beam of light is produced when the trumpet is screwed on with a few threads.



(6) A wider beam of light is produced when the trumpet is screwed on most of the way.