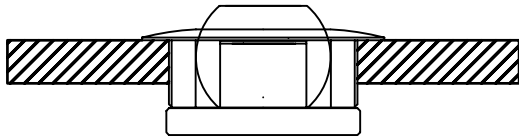
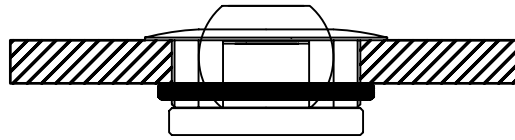


## UFO 27H Hermetic Fitting

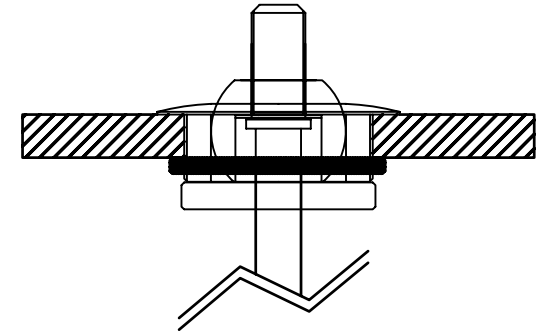
Cutout required: 35mm



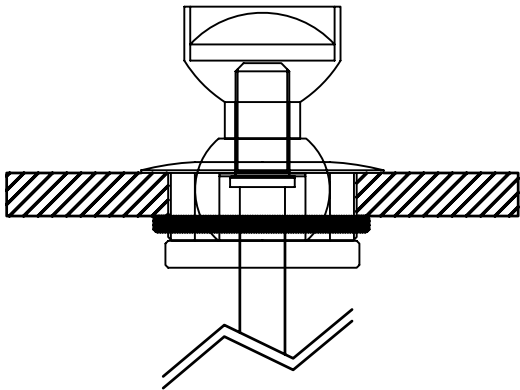
(1) Insert body of fitting into mounting hole.



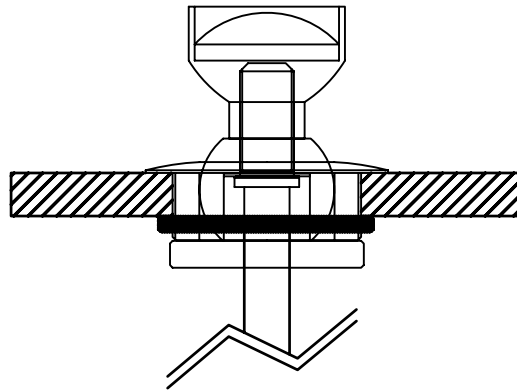
(2) Loosely fit knurled nut onto underside of fitting.



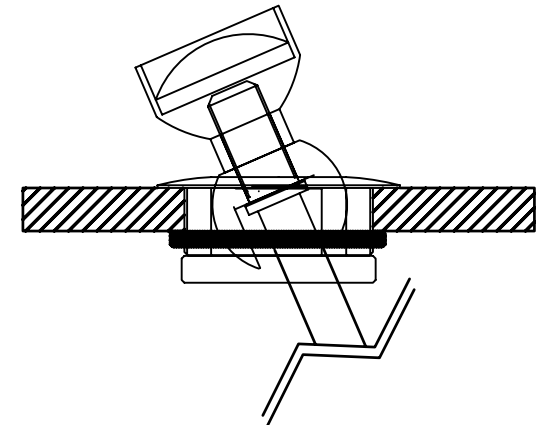
(3) Hold fibre optic tail and screw fitting onto ferrule.  
Tighten nut to secure fitting in place.



(4) Screw trumpet onto ferrule end.  
A narrow beam of light is produced when the trumpet is screwed on with a few threads.



(5) A wide beam of light is produced when the trumpet is screwed on most of the way.



(6) Rotate eyeball to desired angle.