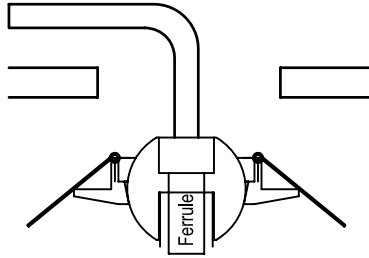
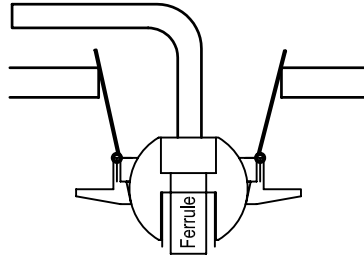


# UFO 20D

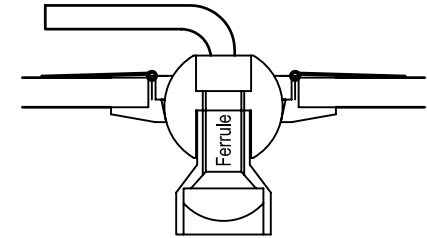
Size of cutout required: 25mm



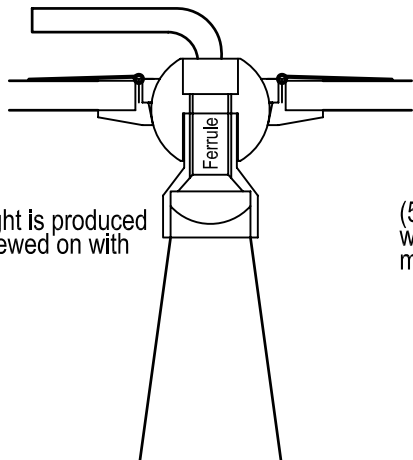
(1) Gently hold fibre optic tail in one hand and screw fitting onto ferrule as far as it will go.



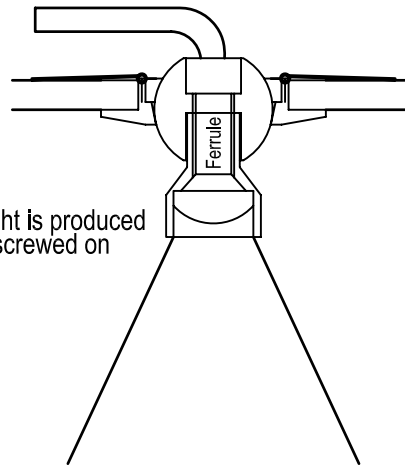
(2) Bend back springs and push into cut out hole.



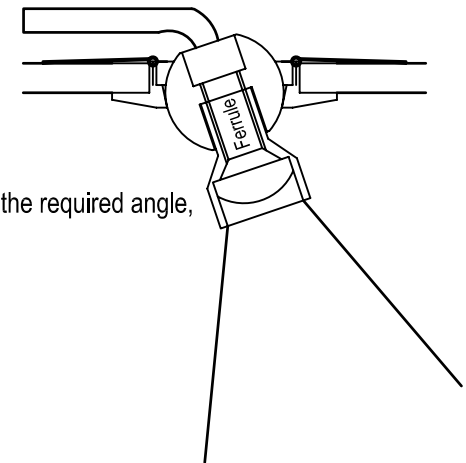
(3) Screw trumpet onto ferrule.



(4) A narrow beam of light is produced when the trumpet is screwed on with a few threads.



(5) A wide beam of light is produced when the trumpet is screwed on most of the way.



(6) Adjust eyeball to the required angle,