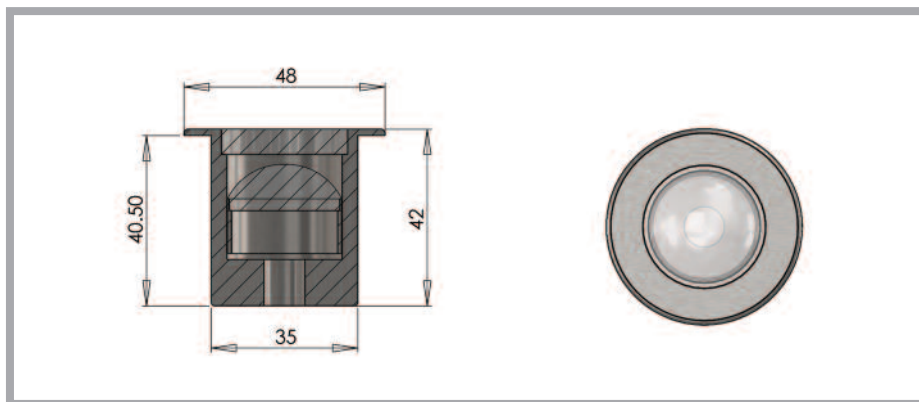
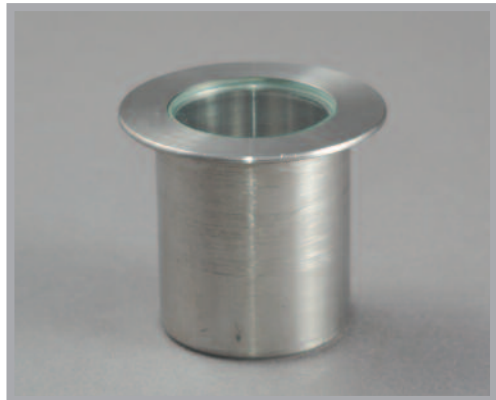


UFO P19 Paver



A round paver manufactured from stainless steel with clear glass front lens and an internal domed lens.

This allows for installation in a walkover situation while also allowing the light beam to be focussed, while the clear glass front gives greater light output and also allows the light to travel further.

Description	
Glass	Clear
Focus Range	40° - 75°
Material	Stainless steel
Colours available	Natural
Flange size	48 mm
Weight	197.3 g
Mounting hole size	36 mm
Ferrule size	M10 or 8 mm smooth
Min. fibre size	2 mm
Max. fibre size	8 mm

Our paver fittings are suitable for use in a variety of different applications and are the ideal solution to floor level lighting both indoors and outside.

Uses include:

- Marker lighting for pathways and entrances
- Wall washing, inside or out
- Uplighting columns or archways
- Mood lighting in any room in the house, including wet rooms and pool areas

Paver fittings can be installed in many surfaces including wooden floors, decking, paving, stair skirting and concrete.